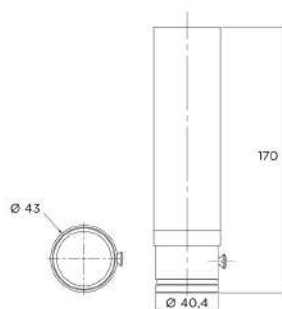
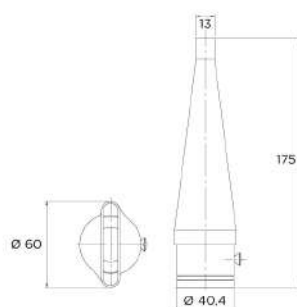


BOQUILLAS NOZZLES

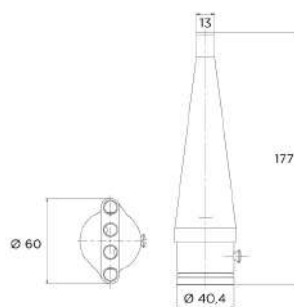
AISI 316L



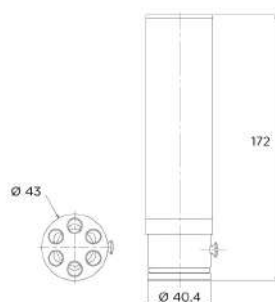
Code	DESCRIPTION
WF87187014	Boquilla 1 Nozzle 1



Code	DESCRIPTION
WF87187012	Boquilla 2 Nozzle 2



Code	DESCRIPTION
WF87187011	Boquilla 3 Nozzle 3

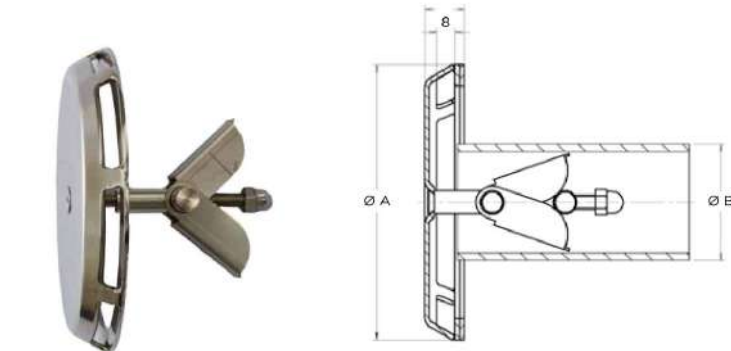


Code	DESCRIPTION
WF87187013	Boquilla 4 Nozzle 4

BOQUILLAS NOZZLES

AIISI 316L

BOQUILLA ASPIRACIÓN ANTIVORTEX ANTIVORTEX SUCTION INLET



Code	m³/h	a	b
WF87198035	15	120	50-63
WF87198036	25	165	50-63

Para liner y poliéster *For liner and polyester*

Code	m³/h	a	b
WF87198032	15	120	50-63
WF87198033	25	165	50-63
WF87198034	40	240	63-75

Para hormigón *For concrete*

BOQUILLA EMPOTRABLE CIRCULAR CIRCULAR NOZZLE TO BE FITTED



Code	DESCRIPTION
WF87188010	<i>Circular nozzle to be fitted</i>

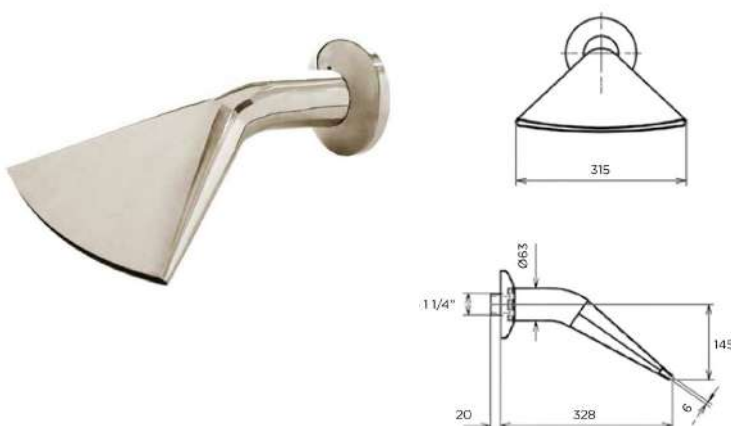
Rosca macho: 1 1/4" *Male connection: 1 1/4"*

Caudal: 12 m³/h *Flow: 12 m3/h*

Bomba recomendada: 0.55 kW

Recommended pump: 0.55 kW

BOQUILLA EMPOTRABLE PLANA FLAT NOZZLE TO BE FITTED



Code	DESCRIPTION
WF87188011	<i>Flat nozzle to be fitted</i>

Rosca macho: 1 1/4" *Male connection: 1 1/4"*

Caudal: 20 m³/h *Flow: 20 m3/h*

Bomba recomendada: 0.55 kW

Recommended pump: 0.55 kW